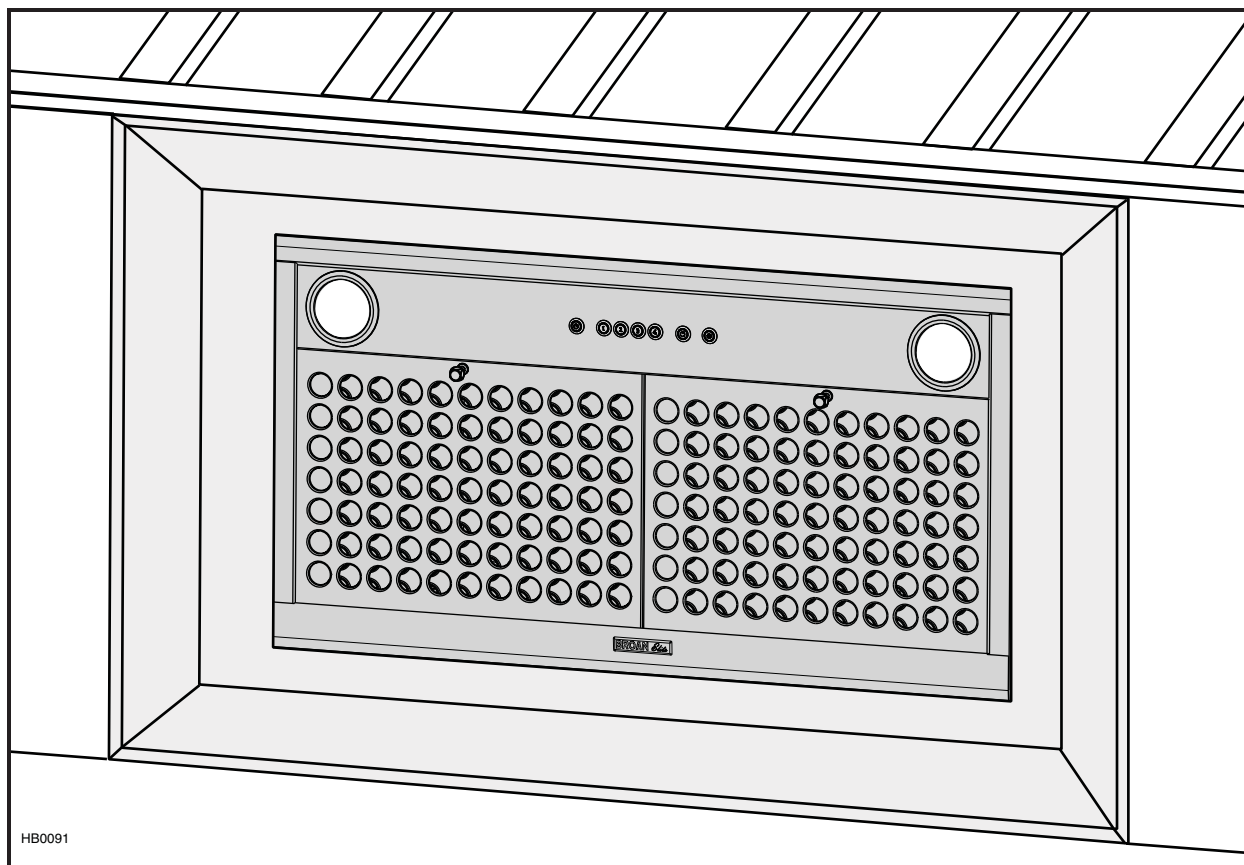


INSTALLATION INSTRUCTIONS

BROAN® *Elite*



HB0091

EC62 SERIES

⚠ INTENDED FOR DOMESTIC COOKING ONLY ⚠

READ AND SAVE THESE INSTRUCTIONS

INSTALLER: LEAVE THIS MANUAL WITH HOMEOWNER.
HOMEOWNER: USE AND CARE INFORMATION ON PAGE 12.

Broan-NuTone Canada Inc.; Mississauga, Ontario www.broan.ca 877-896-1119

www.broan.ca

REGISTER YOUR PRODUCT ON LINE AT: www.broan.ca



7 72371 10778 6

SV08970 rev. 05

WARNING

TO REDUCE THE RISK OF FIRE, ELECTRIC SHOCK OR INJURY TO PERSONS, OBSERVE THE FOLLOWING:

1. Use this unit only in the manner intended by the manufacturer. If you have questions, contact the manufacturer at the address or telephone number listed in the warranty.
2. Before servicing or cleaning unit, switch power off at service panel and lock service disconnecting means to prevent power from being switched on accidentally. When the service disconnecting means cannot be locked, securely fasten a prominent warning device, such as a tag, to the service panel.
3. Installation work and electrical wiring must be done by qualified personnel in accordance with all applicable codes and standards, including fire-rated construction codes and standards.
4. Sufficient air is needed for proper combustion and exhausting of gases through the flue (chimney) of fuel burning equipment to prevent backdrafting. Follow the heating equipment manufacturer's guidelines and safety standards such as those published by the National Fire Protection Association (NFPA), and the American Society for Heating, Refrigeration and Air Conditioning Engineers (ASHRAE), and the local code authorities.
5. When cutting or drilling into wall or ceiling, do not damage electrical wiring and other hidden utilities.
6. Ducted fans must always be vented to the outdoors.
7. To reduce the risk of fire or electric shock, do not use this unit with any additional solid-state speed control device.
8. To reduce the risk of fire, use only metal ductwork.
9. This unit must be grounded.
10. When applicable local regulations comprise more restrictive installation and/or certification requirements, the aforementioned requirements prevail on those of this document and the installer agrees to conform to these at his own expenses.

TO REDUCE THE RISK OF A RANGE TOP GREASE FIRE:

- a) Never leave surface units unattended at high settings. Boilovers cause smoking and greasy spillovers that may ignite. Heat oils slowly on low or medium settings.
- b) Always turn hood ON when cooking at high heat or when flambeing food (i.e. Crêpes Suzette, Cherries Jubilee, Peppercorn Beef Flambé).
- c) Clean ventilating fans frequently. Grease should not be allowed to accumulate on fan, filters or in exhaust ducts.
- d) Use proper pan size. Always use cookware appropriate for the size of the surface element.

WARNING

TO REDUCE THE RISK OF INJURY TO PERSONS IN THE EVENT OF A RANGE TOP GREASE FIRE, OBSERVE THE FOLLOWING*:

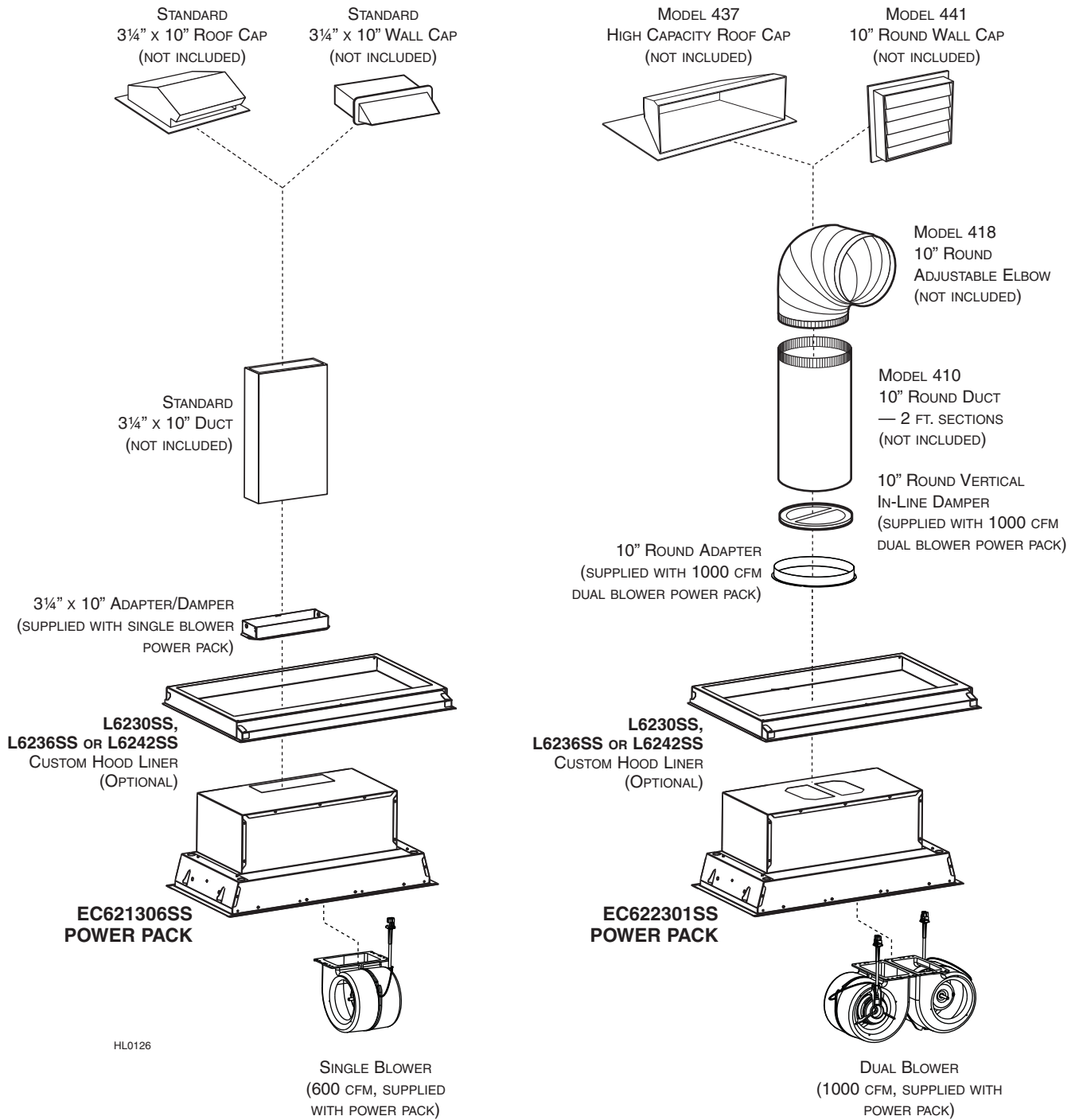
1. SMOTHER FLAMES with a close-fitting lid, cookie sheet or metal tray, then turn off the burner. BE CAREFUL TO PREVENT BURNS. IF THE FLAMES DO NOT GO OUT IMMEDIATELY, EVACUATE AND CALL THE FIRE DEPARTMENT.
2. NEVER PICK UP A FLAMING PAN – You may be burned.
3. DO NOT USE WATER, including wet dishcloths or towels – This could cause a violent steam explosion.
4. Use an extinguisher ONLY if:
 - A. You own a Class ABC extinguisher and you know how to operate it.
 - B. The fire is small and contained in the area where it started.
 - C. The fire department has been called.
 - D. You can fight the fire with your back to an exit.

*Based on "Kitchen Fire Safety Tips" published by NFPA.

CAUTION

1. For indoor use only.
2. For general ventilating use only. Do not use to exhaust hazardous or explosive materials and vapors.
3. To avoid motor bearing damage and noisy and/or unbalanced impellers, keep drywall spray, construction dust, etc. off power unit.
4. Your power pack motor has a thermal overload which will automatically shut off the motor if it becomes overheated. The motor will restart when it cools down. If the motor continues to shut off and restart, have the power pack serviced.
5. The minimum hood distance above cooktop must not be less than 24". A maximum of 30" above cooktop is highly recommended for best capture of cooking impurities. **For a gas range**, the bottom of the hood **MUST NOT BE LESS** than 30" above cooktop.
6. Two installers are recommended because of the large size and weight of this unit.
7. To reduce the risk of fire and to properly exhaust air, be sure to duct air outside – Do not exhaust air into spaces within walls or ceiling or into attics, crawl space or garage.
8. Because of the high exhausting capacity of this unit, you should make sure enough air is entering the house to replace exhausted air by opening a window close to or in the kitchen.
9. To reduce the risk of fire and electrical shock, the Broan Elite EC62 Series models must be installed only with their own built-in blower(s). Other blowers cannot be substituted.
10. Please read specification label on product for further information and requirements.

- EC62 SERIES POWER PACK SYSTEM -



HL0126

1. PREPARE THE INSTALLATION

⚠ WARNING

When performing installation, servicing or cleaning the unit, it is recommended to wear safety glasses and gloves.

NOTE: Before proceeding to the installation, check the contents of the box. If items are missing or damaged, contact the manufacturer.

Make sure that the following items are included:

- Power Pack
- Accessories:
 - 2 Filters
 - 2 Filter knobs with screws, taped inside the hood
 - 2 Shielded halogen lamps (120 V, 50 W max., MR16 with GU10 base)
 - 3/4" x 10" adapter and damper (supplied with 600 CFM single blower power pack)
 - 10" round in-line vertical damper (supplied with 1000 CFM dual blower power pack)
 - 10" round adapter (supplied with 1000 CFM dual blower power pack)
 - Bag of parts including: 1 wire clamp, 2 wire connectors, 4 no. 8 x 3/8" screws, 9 no. 8 x 1/2" chrome plated screws, 10 no. 8-32 x 1/4" screws. If need be, discard extra screws.

Parts sold separately:

- Custom hood liner Model L6230SS, L6236SS or L6242SS (optional)
- Ducts, elbows, wall and roof caps. Refer to page 3 for a complete list of venting options and model numbers.

NOTE: During installation, protect countertop and/or cooktop.

2. INSTALL DUCTWORK AND ELECTRICAL WIRING

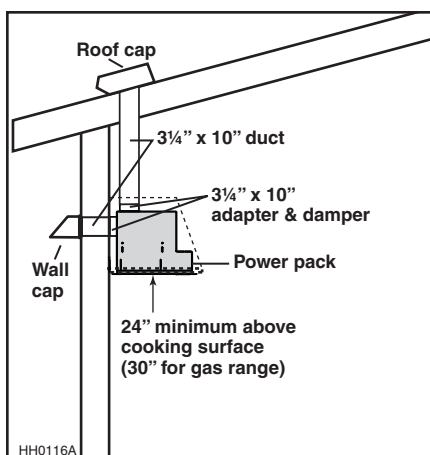
Plan where and how the ductwork will be installed. Access to the top of the power pack is preferred for connection of ductwork.

Install proper-sized ductwork, elbows and roof or wall cap for the type of power pack you are installing. If installing EC621306SS single blower power pack, use 3/4" x 10" ductwork. If installing EC622301SS double blower power pack, use 10" round ductwork. Use 2" metal foil duct tape to seal duct joints.

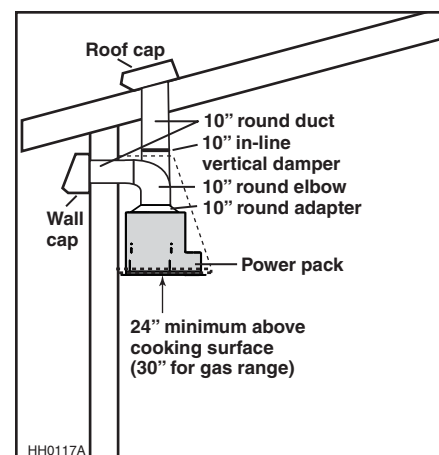
We recommend to install the power pack at a minimum distance of 24" from an electric range and at 30" from a gas range.

Distances over 30" are at the installer and users discretion.

Run 3-wire power supply cable to installation location. Its length should extend **at least 4 feet** below the bottom of the custom hood.



MODEL EC621306SS
(SINGLE BLOWER) TYPICAL DUCTWORK



MODEL EC622301SS
(DUAL BLOWER) TYPICAL DUCTWORK

NOTE: Although the horizontal discharge installation is feasible with EC621306SS power pack model, this installation type should be performed in specific situation only since it requires particular knowledge and technical skills from the installers.

3. PREPARE CUSTOM HOOD

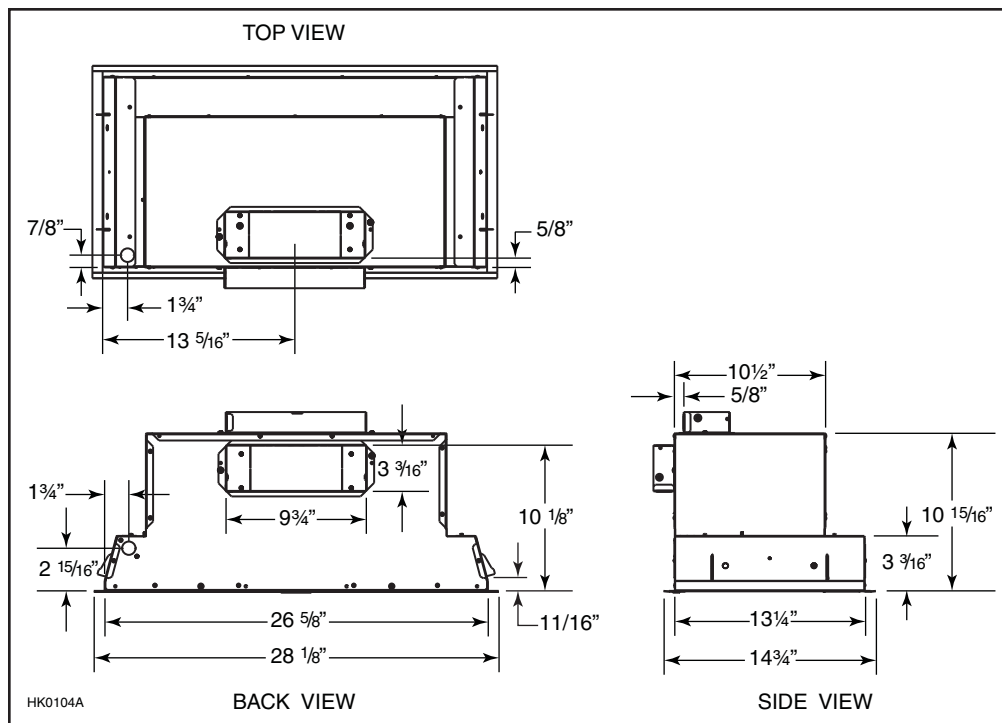
⚠ WARNING

When building a custom hood, always follow all applicable construction codes and standards. The custom hood must be positively secured to wall studs or other wooden framework behind the drywall. Make sure it is capable of supporting its own weight and the weight of the power pack. Failure to do so may cause personal injury or damage to countertop or cooktop.

The custom hood must be constructed to fit the shape and total weight of the EC62 power pack model. The recommended minimum thickness for the custom hood base is 5/8". If an optional custom hood liner will be installed, we recommend the sides and front of the custom hood to be 3/4" thick. If the optional custom hood liner will not be installed, the custom hood sides and front thickness are at the installer's discretion. See chart and illustration for details.

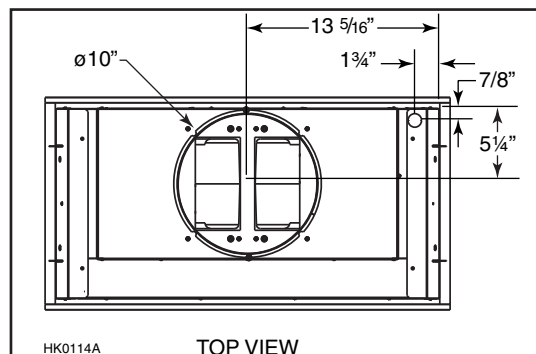
POWER PACK TYPES	TOTAL WEIGHT
SINGLE BLOWER	33 LB
DUAL BLOWER	45 LB

SINGLE BLOWER POWER PACK



DUAL BLOWER POWER PACK

NOTE: The dual blower model has the same dimensions than the single blower model, but does not have a horizontal discharge. Refer to single blower power pack illustration for back and side views, and discard horizontal discharge measurements.



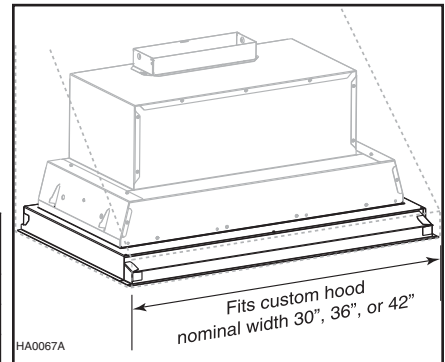
4. INSTALL CUSTOM HOOD LINER (OPTIONAL)

The liners are specially designed to protect the exterior base of the custom hood. To order, refer to the table below to find the right liner model number according to the width of the custom hood nominal width. To view specific model information, including depths for each liner models, visit www.broan.ca or contact Technical Support (phone number listed on front cover).

To install, see instruction packed with custom hood liner.

NOTE: The liner must be installed before the insert.

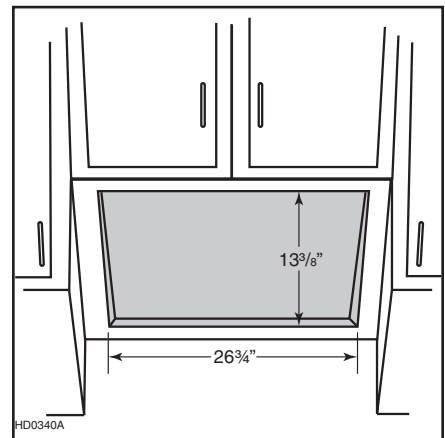
LINER MODEL	CUSTOM HOOD NOMINAL WIDTH
L6230SSS	30"
L6230SSS	36"
L6230SSS	42"



5. CUT THE HOLE IN CUSTOM HOOD BASE

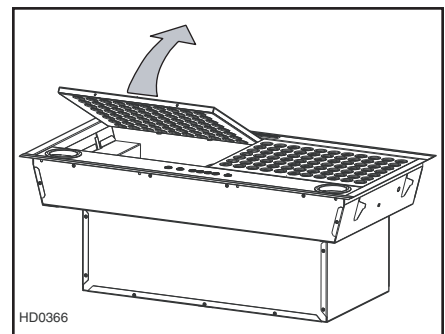
If it is not done yet, cut a hole in the bottom of the custom hood, using the dimensions shown at right.

NOTE: Keep in mind that the unit exterior flange is 3/4".



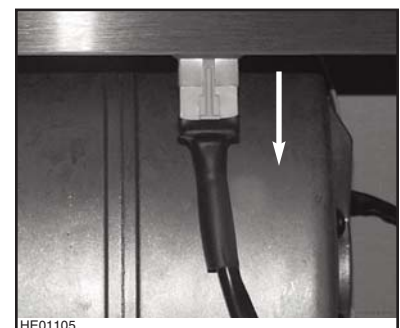
6. REMOVE FILTER

Rest the power pack on a table. Remove tape on filters. Lift filters from power pack by pushing them towards the back and rotate, then set filters aside.



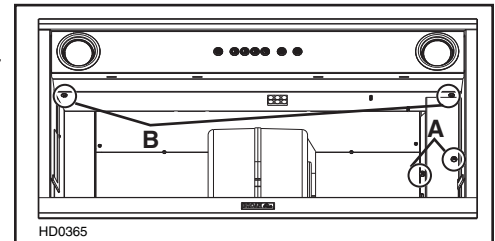
7. UNPLUG THE BLOWER(S)

Unplug the blower(s) (one or two, depending on model) from the front panel.



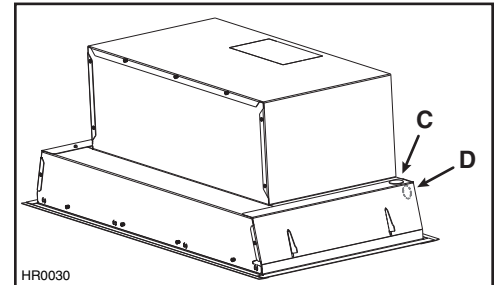
8. REMOVE WIRING COVER AND FRONT PANEL

Using a Robertson or a Phillips no. 2 screwdriver, remove both wiring cover retaining screws (A). Detach it from the power pack and set aside with its screws. Then, remove both sides screws (B) retaining the front panel to the power pack. Carefully detach the front panel from the power pack and set aside with its screws.



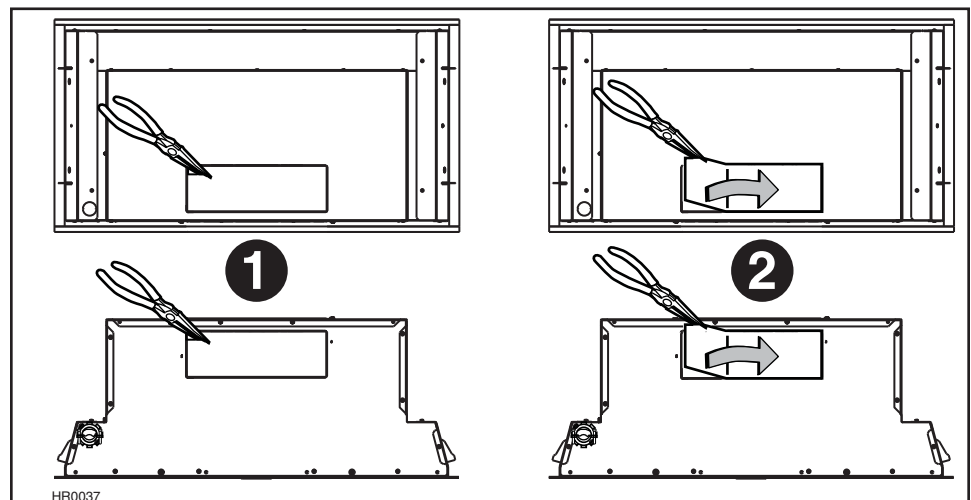
9. REMOVE THE ELECTRICAL KNOCKOUT

From inside the power pack, punch out the electrical knockout hole on top left side (C) OR on back left side (D). Install the wire clamp (included in parts bag).



10. REMOVE THE KNOCK-OUT OPENING (SINGLE BLOWER MODEL ONLY)

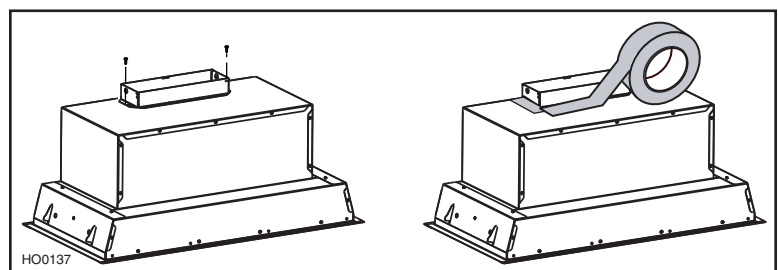
Remove the knockout opening on top (vertical discharge installation) or on back (horizontal discharge installation) of the power pack.



11. INSTALL THE ADAPTER/DAMPER (SINGLE BLOWER MODEL ONLY)

VERTICAL DISCHARGE INSTALLATION

Using 2 no. 8 x 3/8" screws provided in parts bag, secure the adapter/damper to the top of the power pack. Remove tape from damper flap. Seal the adapter to the power pack using metal foil duct tape.

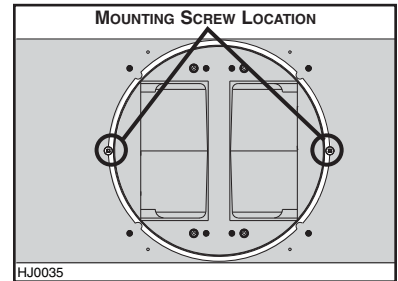


HORIZONTAL DISCHARGE INSTALLATION

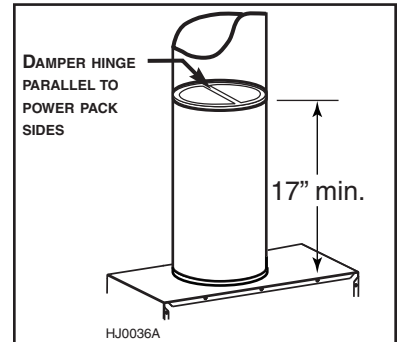
The adapter/damper will be installed on the back of the power pack once the power pack will be mounted in the custom hood. Refer to step 15.

12. INSTALL THE ADAPTER AND THE DAMPER (DUAL BLOWER MODEL ONLY)

Using 2 no. 8 x 3/8" screws from parts bag, assemble the adapter on the top of the power pack. Seal all joints with metal foil duct tape to eliminate air leaks.



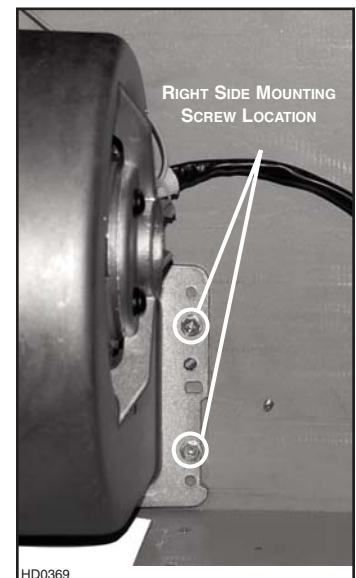
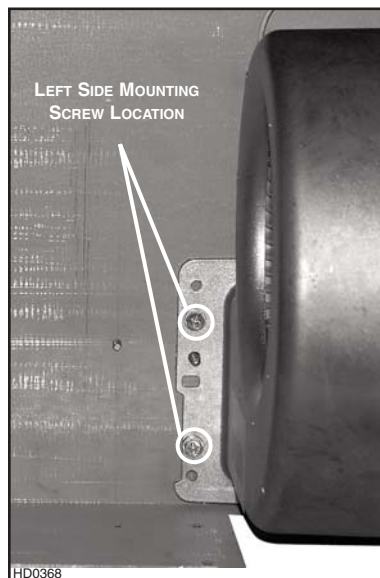
Install 10" damper inside the VERTICAL ductwork that will be attached to power pack. Do not install in a horizontal ductwork or it will not open and close properly. Remove shipping tape if present. To optimize airflow and quiet sound, position the damper at least 17" above the top of the double blower power pack; or as far as the duct run will allow. Also, ensure the damper hinge will be parallel to power pack sides (see figure at right). Secure the damper to the duct with 3 no. 8 sheet metal screws (not provided). Check to make sure damper opens and closes freely. Seal all joints with metal foil duct tape to eliminate air leaks.



13. REMOVE THE BLOWER (SINGLE BLOWER MODEL, HORIZONTAL DISCHARGE ONLY)

In order to ease the power pack alignment with horizontal ductwork, disassemble the blower from the power pack before installing it in the custom hood.

Using a 5/16" socket, or a Phillips no. 2 or a Robertson no. 2 screwdriver, remove all blower mounting screws from the inner top of the power pack. Set blower and screws aside.

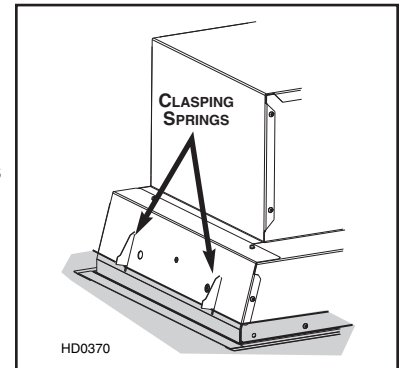


14. INSTALL THE POWER PACK

CAUTION

Take care not to kink ducting or pinch electrical cable when installing the power pack.

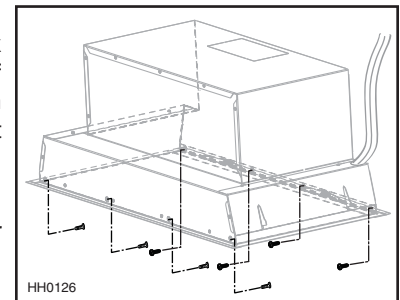
Lift the power pack in custom hood until the bottom of the clasp springs (2 per side) rests on the top of the custom hood base (grey zone in illustration at right).



From inside the power pack, using provided no. 8-10 x 1/2" screws, mount the power pack to the custom hood base. To do so, raise the front until its flange rests on the outer side of the custom hood base and use 2 screws to secure in place. Do the same for the back, then complete the installation with 2 additional screws on the front and back. See figure at right for mounting screws specific locations.

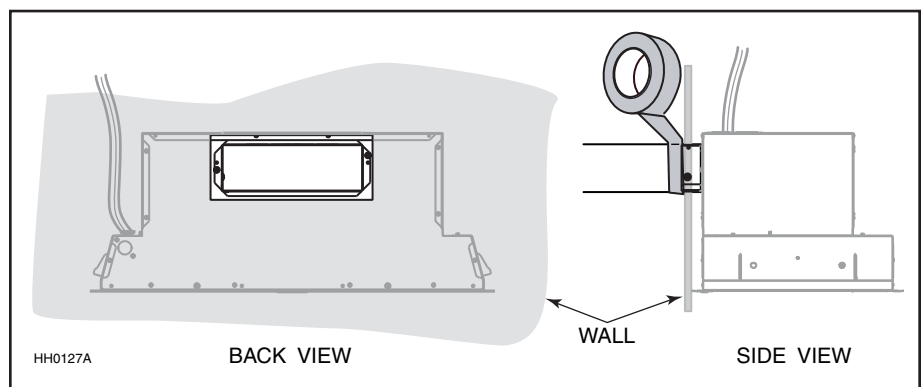
VERTICAL EXHAUST INSTALLATION ONLY

Make sure the adapter/damper enters the ducting and the damper opens freely. Wherever it is possible, seal connections with metal foil duct tape.



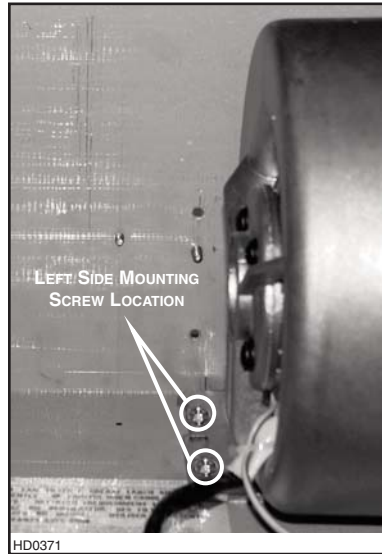
15. INSTALL THE ADAPTER/DAMPER ON BACK OF POWER PACK (SINGLE BLOWER MODEL, HORIZONTAL DISCHARGE ONLY)

From the outside of the wall, using two no. 8 x 3/8" screws provided in parts bag, secure the adapter/damper to the back of the power pack. Remove tape from damper flap. Connect ducting to the adapter/damper and seal the joint using metal foil duct tape.



16. REINSTALL THE BLOWER (SINGLE BLOWER MODEL, HORIZONTAL DISCHARGE ONLY)

The single blower power pack is factory shipped for a vertical discharge installation. For a horizontal discharge installation, the blower must be flipped. Using a 5/16" socket, or a Phillips no. 2 or a Robertson no. 2 screwdriver, secure the blower to the inner back of the power pack with all blower mounting screws (previously removed in step 13).

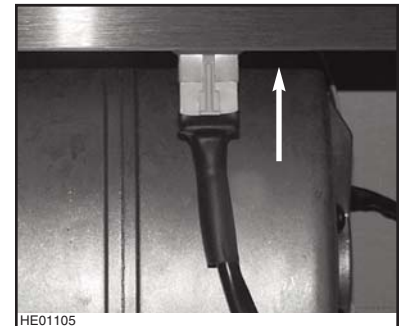
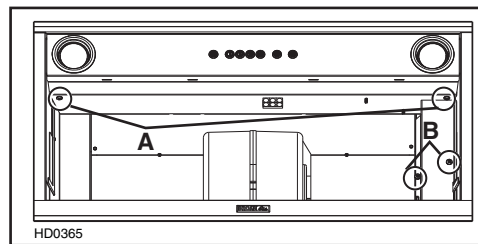
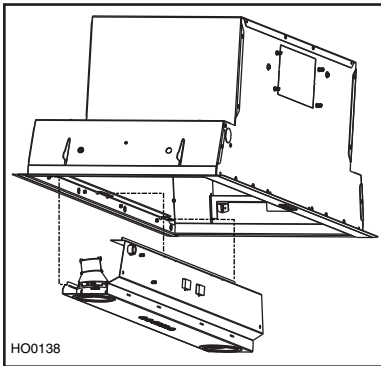


17. REINSTALL FRONT PANEL AND WIRING COVER

CAUTION

Take care not to pinch wiring when reinstalling the front panel and the wiring cover.

Carefully reassemble the front panel to the power pack by aligning the tabs with their corresponding slot. Using a Robertson no. 2 or a Phillips no. 2 screwdriver, secure the front panel to the power pack using its both retaining screws (A) previously removed in step 8. Reassemble the wiring cover using its both retaining screws (B) previously removed in step 8. Plug the motor(s) (one or two, depending on models) to the front panel.



18. CONNECT WIRING (ALL MODELS)

⚠ WARNING

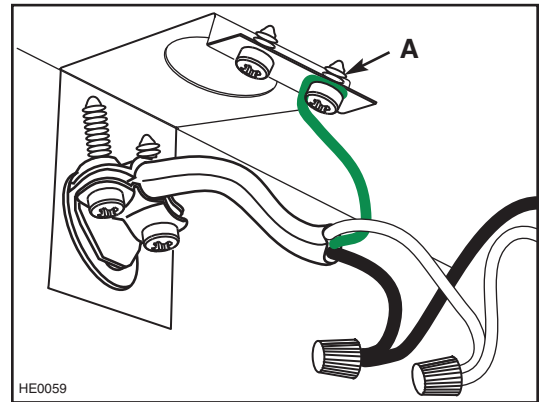
Risk of electric shock. Electrical wiring must be done by qualified personnel in accordance with all applicable codes and standards. Before connecting wires, switch power off at service panel and lock service disconnecting means to prevent power from being switched on accidentally.

Position the power pack below the installed custom hood. Insert the house wiring cable through the wire clamp previously installed in step 9. Tighten the wire clamp to secure the cable.

18. CONNECT WIRING (ALL MODELS) (CONT'D)

Connect cable using provided wire connectors.

Connect wires as follow: BLACK to BLACK, WHITE to WHITE and GREEN or BARE wire under ground screw (A). DO NOT FORGET TO CONNECT THE GROUND.

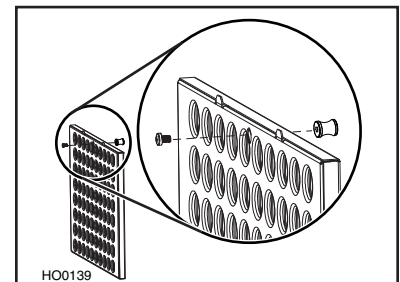


19. REINSTALL FILTERS

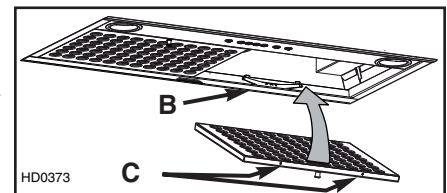
CAUTION

Remove protective plastic film covering filters before installing them.

1. Using a Phillips no. 2 screwdriver, assemble the knob to each filter.
NOTE: The screw MUST BE on filter tabs side. See illustration at right.



2. Rest rear filters edge on filter springs (B) in the power pack.
3. Using knob, tilt up the filters into position. Make sure filter tabs (C) are securely engaged in power pack front edge after installation.



20. LIGHT BULBS

This power pack requires shielded halogen lamps (120 V, 50 W max., MR16 or PAR16 with GU10 base), included.

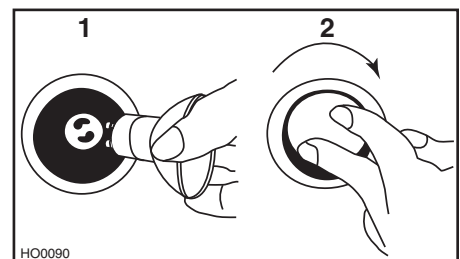
⚠ WARNING

Do not touch lamps during or soon after operation. Burns may occur. In order to prevent the risk of personal injury, only install shielded halogen lamps. Also, never install a cool beam, a dichroic lamp, a lamp not suitable for use in recessed luminaires or identified for use in enclosed fixtures.

1. Install the lamps by placing the bulb leads into their grooves in the socket.
2. Gently push upwards and turn clockwise until secure.

To remove lamps, gently push upwards and turn counterclockwise to disengage bulb leads from their grooves.

NOTE: If need be, use a rubber dishwashing glove to add grip when removing the bulb.



21. USE AND CARE

Filters

The filters should be cleaned frequently. Use a warm detergent solution. Wash more often if your cooking style generates more grease — like frying foods or wok cooking.

Remove filters by pushing it towards the back of power pack and rotating filter downward. Filters are dishwasher safe. Allow filters to dry completely before reinstalling them in the power pack.

Clean all-metal filters in the dishwasher using a non-phosphate detergent. Discoloration of the filters may occur if using phosphate detergent or as a result of local water conditions — but this will not affect filter performance. This discoloration is not covered by the warranty.

Blower(s) Cleaning

Remove the filters in order to access the blower(s). Vacuum blower(s) to clean. Do not immerse in water.

Power Pack Cleaning

Stainless steel cleaning:

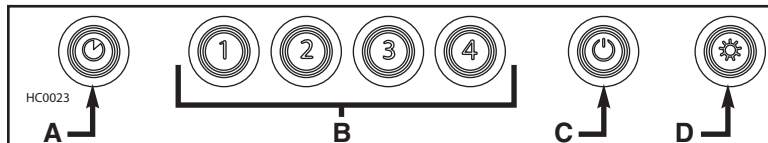
Do:	Don't:
<ul style="list-style-type: none">Regularly wash with clean cloth or rag soaked with warm water and mild soap or liquid dish detergent.Always clean in the direction of original polish lines.Always rinse well with clear water (2 or 3 times) after cleaning. Wipe dry completely.You may also use a specialized household stainless steel cleaner.	<ul style="list-style-type: none">Use any steel or stainless steel wool or any other scrapers to remove stubborn dirt.Use any harsh or abrasive cleansers.Allow dirt to accumulate.Let plaster dust or any other construction residues reach the power pack. During construction/renovation, cover the power pack to make sure no dust sticks to stainless steel surface.

Avoid when choosing a detergent:

- Any cleaners that contain **bleach** will attack stainless steel.
- Any products containing: **chloride, fluoride, iodide, bromide** will deteriorate surfaces rapidly.
- Any combustible products used for cleaning such as **acetone, alcohol, ether, benzol**, etc., are highly explosive and should never be used close to a range.

22. OPERATION

Always turn your power pack on before you begin cooking to establish an air flow in the kitchen. Let the blower run for a few minutes to clear the air after you turn off the range. This will help keep the whole kitchen cleaner and brighter.



A. DELAY SWITCH:

When a blower speed is selected, press this switch to activate the delay function. The corresponding blower speed switch will flash to indicate this function is activated. The blower will continue to operate for 5 minutes and will stop automatically. To cancel the delay function, press the delay switch once again.

B. START/STOP/SPEED SELECTION SWITCHES:

Press the switch corresponding to the desired blower speed (from 1 for low speed to 4 for high speed). The chosen switch will light. To turn off the blower, press once more on the corresponding blower speed switch; the switch light will shut off.

NOTE: When blower is off, pressing on blower speed 1 switch will cause the blower to start on high speed for a very short lapse of time, and then resume on speed 1.

C. MASTER OFF/FILTER MAINTENANCE/HEAT SENTRY (TRIPLE FUNCTION SWITCH):

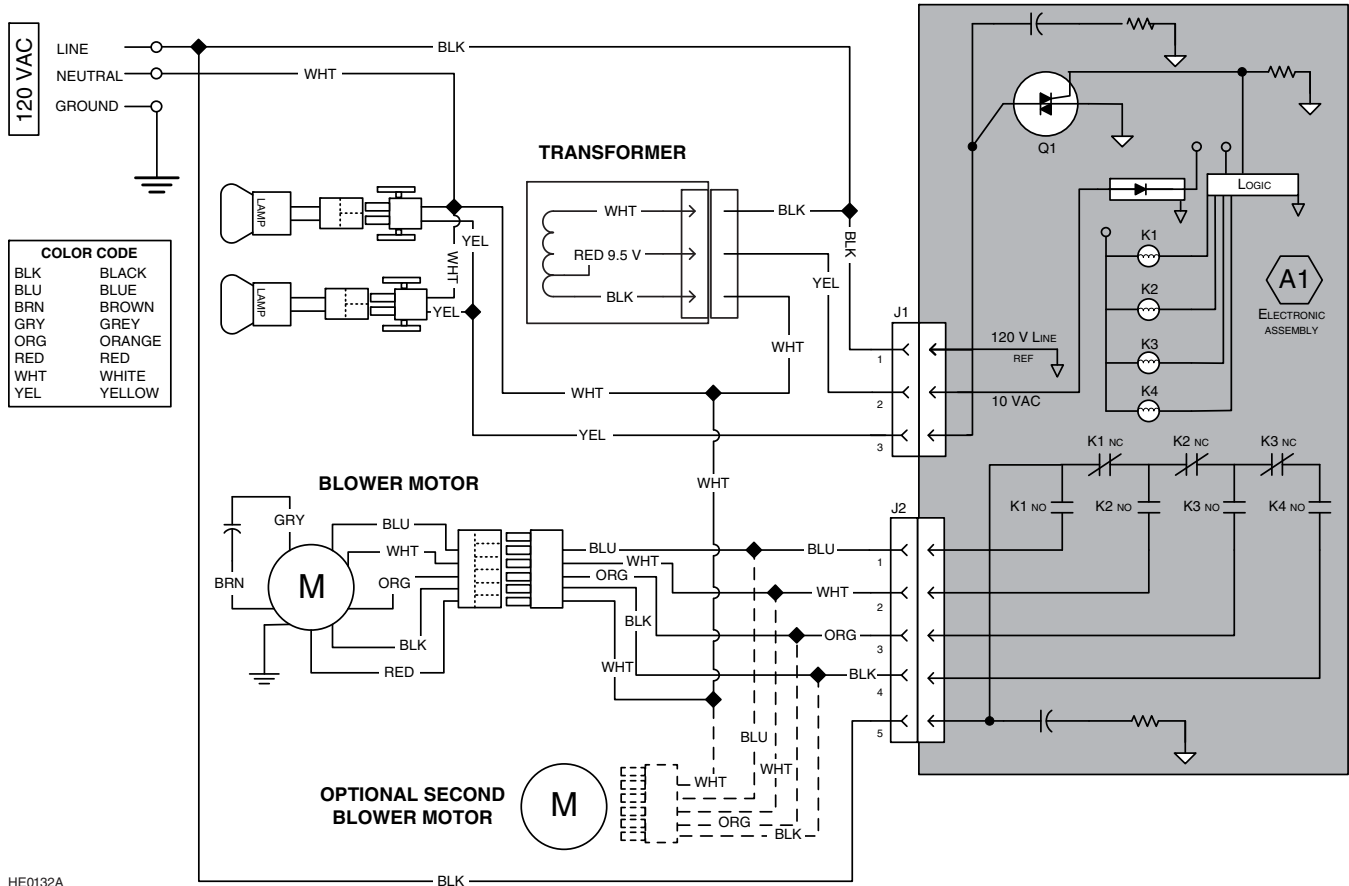
- To turn off the blower(s) and the light simultaneously, press this switch once.
- After 25 hours of operation, this switch will light to indicate the filters and the blower wheel(s) need to be cleaned in order to maintain efficient operation of the unit. The switch light will stay on until the function is reset by pressing this switch for 3 seconds.
- The light indicator is used for the Heat Sentry function as well.

HEAT SENTRY: The hood is equipped with a protective device that activates when excessive heat is detected inside the hood and when it is set on speed 4. This device takes control of the blower and deactivates speed 4 for a 10-minute period and sets it on speed 3. During the Heat Sentry activation, only speed 3 can be used; the Heat Sentry button (C) will flash while the speed 3 button will light. The hood can also be turned OFF.

D. LIGHT SWITCH:

This switch allows three different lighting levels according to your needs. Press once for nightlight, twice for normal or three times to obtain full intensity. To shut off the lights without turning off the blower, press once more.

23. WIRING DIAGRAM



24. WARRANTY

ONE YEAR LIMITED WARRANTY FOR BROAN ELITE PRODUCTS

Broan-NuTone Canada (Broan-NuTone) warrants to the original consumer purchaser of Broan Elite products that such products will be free from defects in materials or workmanship for a period of one year from the date of original purchase. THERE ARE NO OTHER WARRANTIES, EXPRESS OR IMPLIED, INCLUDING, BUT NOT LIMITED TO, IMPLIED WARRANTIES OR MERCHANTABILITY OR FITNESS FOR A PARTICULAR PURPOSE.

During this one-year period, Broan-NuTone will, at its option, repair or replace, without charge, any product or part which is found to be defective under normal use and service.

THIS WARRANTY DOES NOT EXTEND TO FLUORESCENT LAMP STARTERS, TUBES, HALOGEN AND INCANDESCENT BULBS, FUSE, FILTERS, DUCTS, ROOF CAPS, WALL CAPS AND OTHER ACCESSORIES FOR DUCTING. This warranty does not cover (a) normal maintenance and service or (b) any products or parts which have been subject to misuse, negligence, accident, improper maintenance or repair (other than by Broan-NuTone), faulty installation or installation contrary to recommended installation instructions.

Warranty service is to be completed by an authorized Service Center designated by Broan-NuTone. Where applicable, in-home service will be made available only in areas where a contracted service provider offers service. If in-home service is not available, the product will be repaired or replaced, at Broan-NuTone's discretion, by the nearest authorized service provider. The unit removal and reinstallation works are under the customer responsibility, and Broan-NuTone cannot be charged for them.

The duration of any implied warranty is limited to the one-year period as specified for the express warranty. Some provinces do not allow limitation on how long an implied warranty lasts, so the above limitation may not apply to you.

BROAN-NUTONE'S OBLIGATION TO REPAIR OR REPLACE, AT BROAN-NUTONE'S OPTION, SHALL BE THE PURCHASER'S SOLE AND EXCLUSIVE REMEDY UNDER THIS WARRANTY. BROAN-NUTONE SHALL NOT BE LIABLE FOR INCIDENTAL, CONSEQUENTIAL OR SPECIAL DAMAGES ARISING OUT OF OR IN CONNECTION WITH PRODUCT USE OR PERFORMANCE. Some provinces do not allow the exclusion or limitation of incidental or consequential damages, so the above limitation or exclusion may not apply to you.

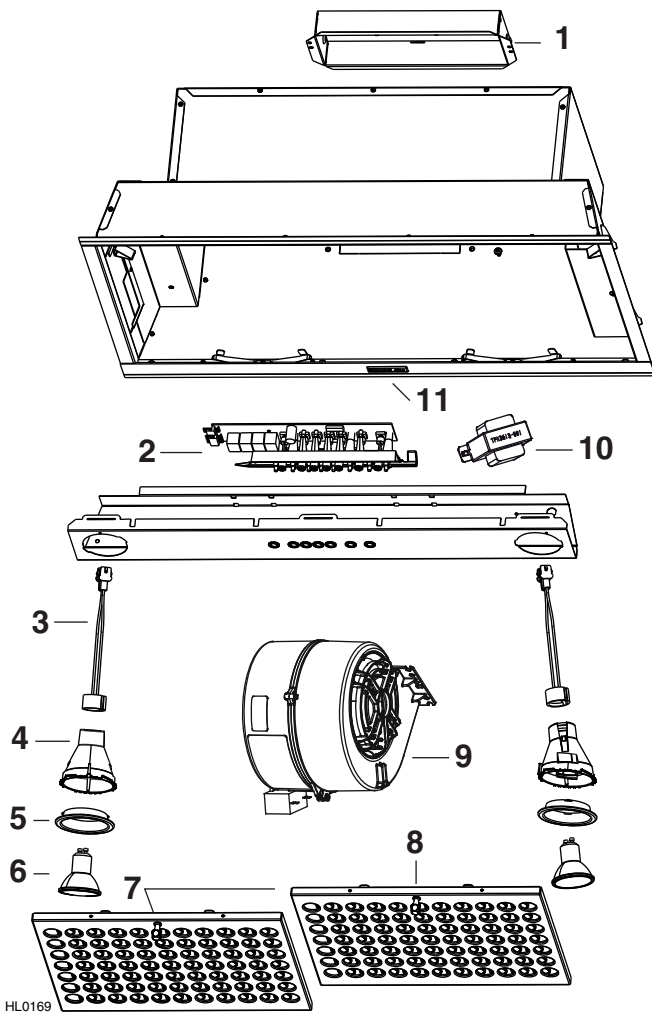
This warranty gives you specific legal rights, and you may also have other rights, which vary from province to another. This warranty supersedes all prior warranties.

To qualify for warranty service, you must (a) notify Broan-NuTone at the address or telephone number stated below, (b) give the model number and part identification and (c) describe the nature of any defect in the product or part. At the time of requesting warranty service, you must present evidence of the original purchase date.

Broan-NuTone Canada Inc., 1140 Tristar Drive, Mississauga, ON L5T 1H9 www.broan.ca 1-877-896-1119

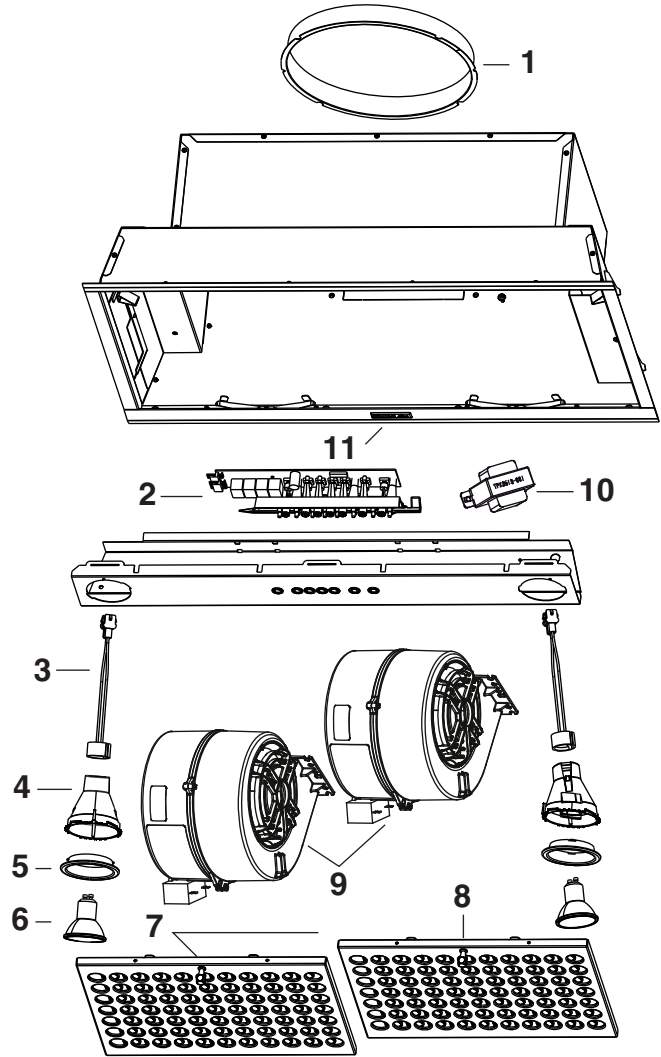
25.SERVICE PARTS

EC621306SS



HL0169

EC622301SS



KEY NO.	PART NO.	DESCRIPTION	QTY. (POWER PACK MODEL)	
			EC621306SS	EC622301SS
1	SV13296	ADAPTER/DAMPER 3 1/4" x 10"	1	-
	SV08541	ADAPTER 10" ROUND	-	1
2	SV09226	ELECTRONIC CONTROL WITH CHROMED BUTTONS AND BLUE LEDs	1	1
3	SV05917	SOCKET	2	2
4	SV05921	SOCKET HOLDER	2	2
5	SV09435	LIGHT TRIM	2	2
6	SV09434	SHIELDED HALOGEN BULB (120 V, 50 W, GU-10)	2	2
7	SV18428	THIN BAFFLE FILTER	2	2
8	SV08967	FILTER KNOBS (INCLUDING SCREWS) (QTY. 2)	1 PAIR	1 PAIR
9	SV08582	INTERNAL BLOWER	1	2
10	SV09022	TRANSFORMER	1	1
11	SV06750	BROAN ELITE LOGO	1	1
*	SV08970	INSTALLATION GUIDE	1	1
*	SV08545	PARTS BAG: 2 WIRE CONNECTORS, 1 WIRE CLAMP, 4 SCREWS NO. 8 x 3/8", 9 CHROMED PLATED SCREWS NO. 8-10 x 1/2", 10 MECHANICAL SCREWS NO. 8-32 x 1/4"	1	1

*NOT SHOWN.

REPLACEMENT PARTS AND REPAIRS

In order to ensure your unit remains in good working condition, you must use Broan-NuTone genuine replacement parts only. Broan-NuTone genuine replacement parts are specially designed for each unit and are manufactured to comply with all the applicable certification standards and maintain a high standard of safety. Any third party replacement part used may cause serious damage and drastically reduce the performance level of your unit, which will result in premature failing. Broan-NuTone recommends to contact a certified service depot for all replacement parts and repairs.